

Ground Mounted Charger LS4 (OLEV approved)

Type: LS4DCMT222WO-LAN

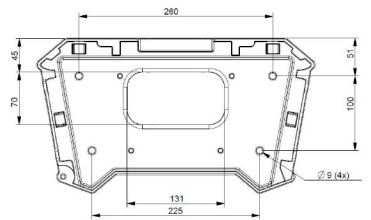
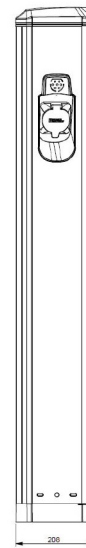
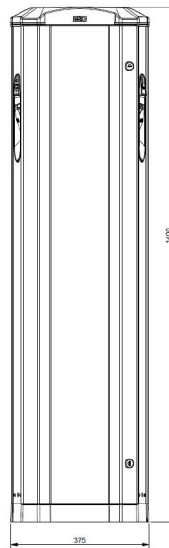
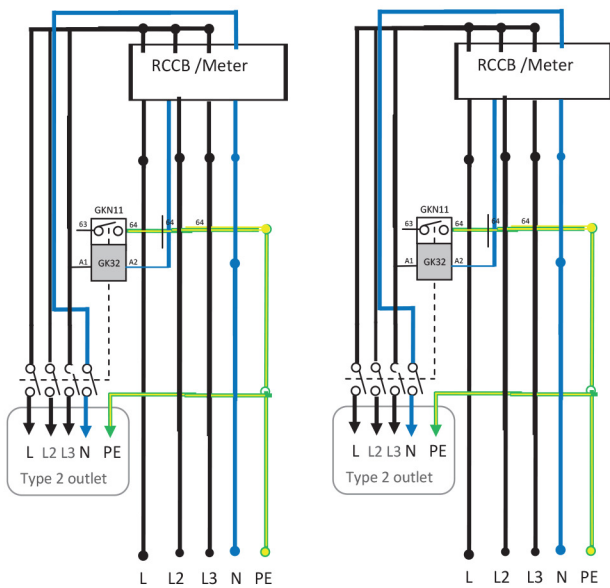


LS4DCMT222WO-LAN

Charging Mode	Mode 3
Socket or Tethered Lead	Socket (type 11) X 2
AC Output Current (A)	6,10,16,20,25,32
Power outlet [kW]	3.7KW,7.4KW,11KW, 22KW
Rated voltage [V AC]	230 / 400
Frequency [Hz]	50
Temperature range [C]	-25...+40
Degree of protection (IP)	44
Weight(KG)	24.5
Location	Ground / Wall mounted
DC Monitoring	Yes,
Load management	Standard with GNM3D / 3T
Local Meter	Standard
Communication	Local Area Network (LAN)
RFID	Standard
Protocol	OCPP1.5 / 1.6
Certification	EN 61851-1, IEC 61439-7

Master Socket

Slave Socket





DRIVING CHANGE

Specialist electric vehicle distributors

www.megapower365.com



CONTACT

Barbados Head Office :
T: 1(246) 435-0282, 1(246) 255-0449
E: sales@megapower365.com
A: The Edghill Building,
Willey Business Park,
Willey, St Michael,
Barbados, BB14006

Barbados Service Office:
T: 1(246) 435-0282, 1(246) 255-0449
E: sales@megapower365.com
A: Megapower Service Centre,
Wilcox Ridge,
Gibbins, Christchurch,
Barbados.

Antigua Head and Service Office:
T: 1(268) 464-5033
E: support@megapowerantigua.com
A: Antigua Head Office and Service Centre,
Hodges Bay,
St Johns,
Antigua, P.O box 231